



Model : UAPR-100
UAPR-100R (RS-485 output)

■ Features

- It is able to display for three-phase voltage in primary or secondary. (PT ratio setting range: 1~ 999)
- Protection for three-phase voltage in case of under or over voltage (voltage setting range: OV:100%~130%Un, UV:70%~100%Un)
- It is required to enter the access code if there is any modification for setting value.
- The function of re-closing will be closed if the "EXT. LOCK" contact is working. (interlocking device, OCR/OCGR protection, etc.)
- The buzzer will blink and sound when CB closing is working or failed.
- The 2 digits green LED will be indicating the closing time in a mode of countdown display.
- AUTO/MANU/OFF positions must be selected for the mode of function.
- The internal RAM will memorize all setting values when power supply in loss.
- RS 485 interface by option.
- Drawout type by option.
- DIN case 144 x 144 mm

■ Specifications

Display :	3 x 3 digits Red LED 0.3" high - - - Voltage 2 digits Green LED 0.3" high - - - Time
Parameter setting :	Touch switches
Memory :	NV RAM
Accuracy :	±1% FS. (Voltage)
OV, UV delay trip time :	0~99 sec free setting
Reclose delay time :	0~99 sec free setting
Times for reclosing :	1~9 times free setting
Relay contact capacity :	AC 250V, 5A (10A by option)
Input voltage :	AC 3Φ 110/220V±20%
Operating Temp. :	-10℃ ~ 60℃/ below 95%R.H.
Storage Temp. :	-20℃ ~ 70℃/ below 95% R.H.
Power Supply :	AC 90~260V, 50/60Hz
Power Consumption :	Approx. 7VA
Dielectric Strength :	DIN-IEC688, AC 2.3KV/1min, between terminals. AC 2.8KV/1min, between terminal and case
Isolation Resistance :	DC 500V, 100MΩ at above terminals
Protection degree:	IP54(front), IP20(case)
Dimensions :	144(W) x 144(H) x 100(D) mm
Panel cut out:	136±1(W) x 136±1(H) mm

■ RS-485 Interface

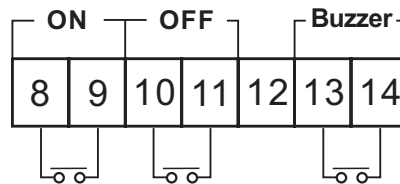
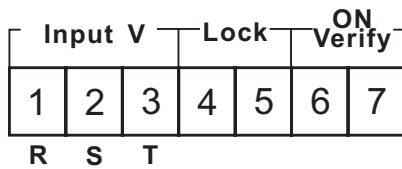
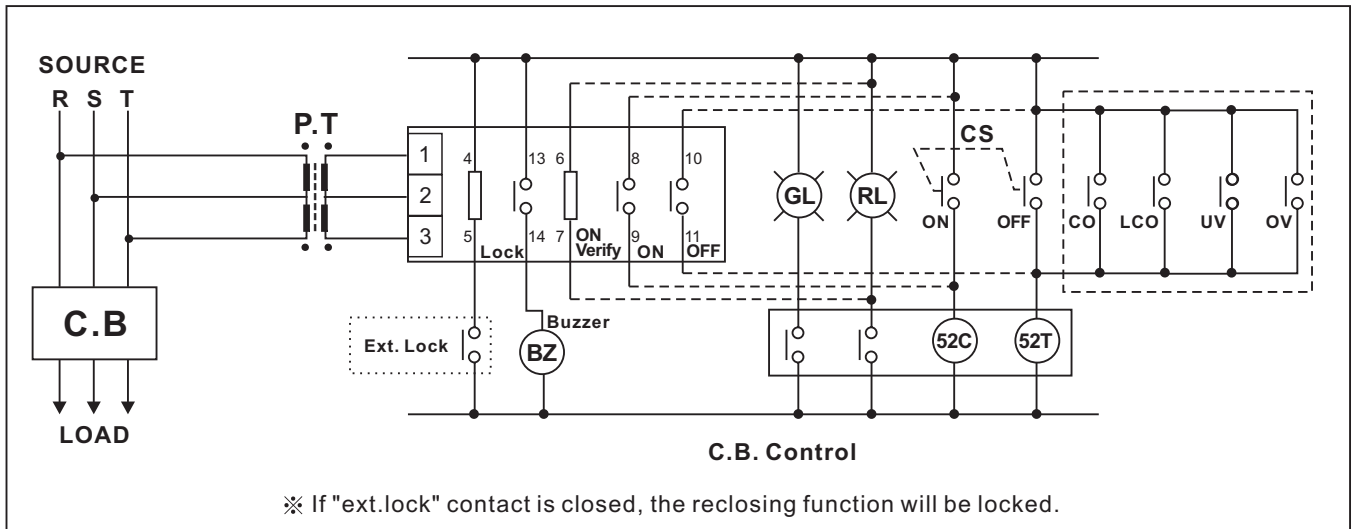
Address : 1 ~ 255
Baudrate : 19200,9600,4800,2400
Protocol : Modbus RTU Mode

■ Order Code

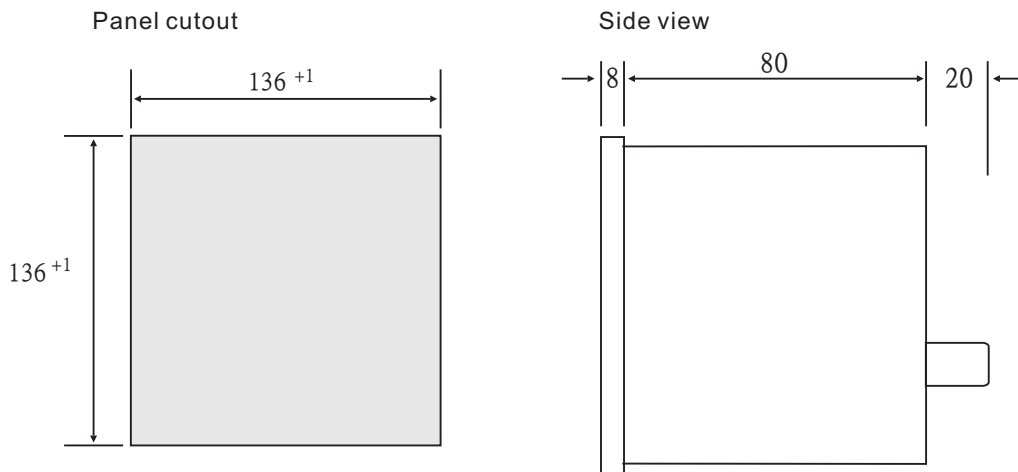
Model : UAPR - 1

Input ACV	_____
0 : 110/220V±20%	
1 : Option	
Power Supply	_____
0 : AC 90~260V, 50/60Hz	
1 : Option	
Interface	_____
R : RS-485 output	

■ Connection Diagram



■ Dimensions (mm)



United States Multicorporation

632 New York Drive. Pomona, CA91768. USA

Tel: (909)524-3046 Fax: (909) 469-4896

E-mail: sales@usm.cc URL: <http://www.usm.cc>